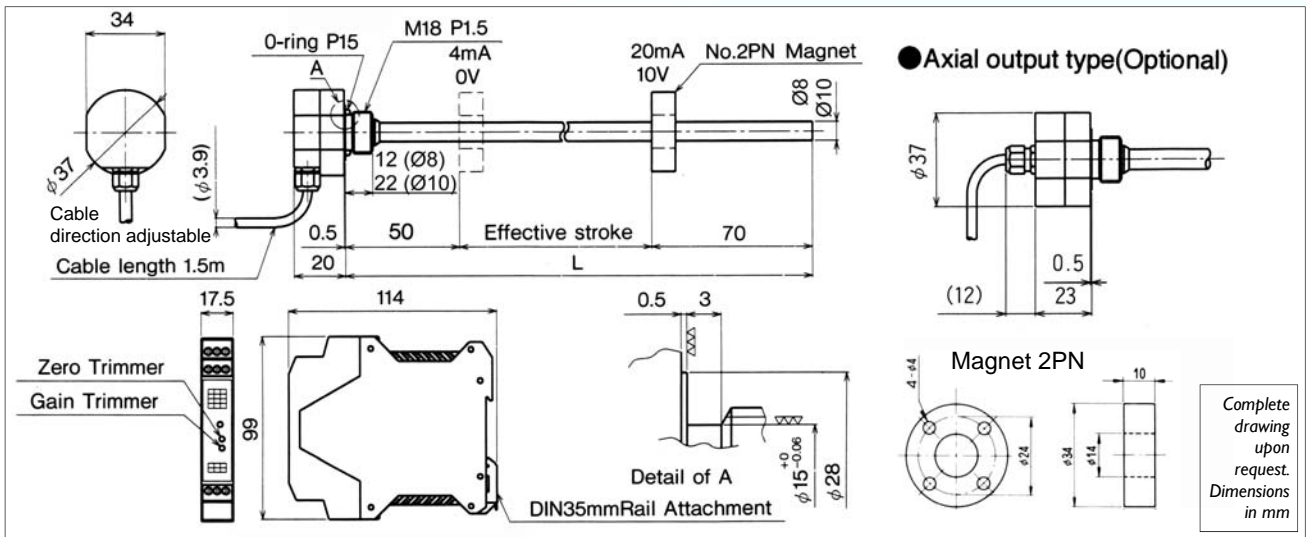


The GY-series from Regal Components offer sensors that meet the highest demands on the market from one of the leading suppliers in Japan. Decades of experience ensures you highest quality. The magnetostrictive principle, non-contact, offers very high performance and linearity combined with extreme long life-time.

The GYGS sensor is easy to mount and install in cylinders and the header adds only 20 mm length. The separate electronics offer either current or voltage output. With a magnet float it can also be used as a level detector.

Regal Components offers you the best available support and knowledge in position sensing, with more than 20 years of experience. Regal Components, your choice in position sensing.



Electrical specifications

Supply voltage	24 VDC ±2V 0,01A
Linearity	±0,025% FS
Resolution	<0,01% FS
Repeatability	<±0,01% FS
Temperature drift	<40 ppm FS/°C
Frequency response	1 kHz / 1 ms (std)
Output signal	4-20 mA (load <500Ω)

Mechanical specifications

Stroke length	10-3000 mm
Temperature	operating: -20°C - +80°C
	electronics: 0°C - +60°C
	storage: -40°C - +80°C
Material	probe head: Plastic
	probe rod: Stainless steel SS304
Vibration	6G (or 40 Hz 2 mmp-p)
Shock	50G (2 ms)
Protection class	IP 67 (10 kPa, 30 min)
Working pressure	max 350 bar (5000 psi)

Order information

GYGS - □□□□ - G □ - □ / GYGSC-01 - □ - □□□□ - □

Sensor probe

1= Stroke (mm), max 3500

2= Cable length*, m (1,5 m std)

3= Cable direction

L: Radial, adjustable (std)

S: Axial

***Please note:** Cable length is sensitive, do not use longer cable than ordered

Electronics

4= Output

A: 0-10 V

B: 4-20 mA

5= Stroke (mm, max 3500)

6= Direction of output, when moved to rod tip side

D: Increase

R: Decrease

More alternatives available, as well as different magnets and floats. Please contact Regal Components if you have any questions.



Specifications subject to change without notice.