

# Magnetostrictive sensor 50-3000mm



The GYAF-probe is an all-in-one type flat-head with integrated controller. After supplying DC 24V an analogue voltage or current signal is obtained. The flange type offers easy mount and short additional length.

The GY-series from Regal Components offer sensors that meet the highest demands on the market from one of the leading suppliers in Japan. Decades of experience ensures you highest quality.

The magnetostrictive principle, non-contact, offers very high performance and linearity combined with extreme long lifetime. Regal Components offers you the best available support and knowledge in position sensing, with more than 20 years of experience.

Regal Components, your choice in position sensing.



## Electrical specifications

Supply voltage.....	24 VDC ±2V 0,1A
Linearity.....	<0,025% FS
Resolution.....	<0,01% FS
Hysteresis.....	<±0,01% FS
Temperature drift.....	<40 ppm FS/°C
Output signal.....	4-20 mA (max load 500Ω)
	0-10 V (min load 2kΩ)
Frequency response.....	1 kHz / 1 ms (std)

## Mechanical specifications

Stroke length.....	50-3000 mm
Temperature.....	operating.....-20°C- +80°C(*1)
	storage.....-40°C- +80°C
Material.....	Stainless steel SS304
Vibration.....	6G (or 40 Hz 2 mmp-p)
Shock.....	50G (2 ms)
Protection class.....	IP 67 (10 kPa, 30 min)(*2)
Working pressure (rod).....	max 350 bar (5000 psi)

Mentioned accuracy applies to sensors with effective stroke of 300 mm or more.

\*1) The range of minus temperatures in the operating temperature means the whole of the probe can be used in cold areas. Please consult Regal Components, if only the probe rod gets in cold temperature ranges.

\*2) Protection class IP67 secures that a product can endure the use for up to 30 minutes in up to 1 m depth under water, not continuously.

## Order specifications

Sensorprobe GYAF - □□□□ - □ - □ - □□

- 1= Stroke (mm), max 3000
- 2= Output type
  - A: Voltage output (0-10 V)
  - B: Current output (4-20 mA)
- 3= Direction of output when moved to rod tip
  - D: Increasing (0-10 V or 4-20 mA)
  - R: Decreasing (10-0 V or 20-4 mA)
- 4= Connector/cable
  - CN: Connector type
  - Gn: Cable (n = length in m)

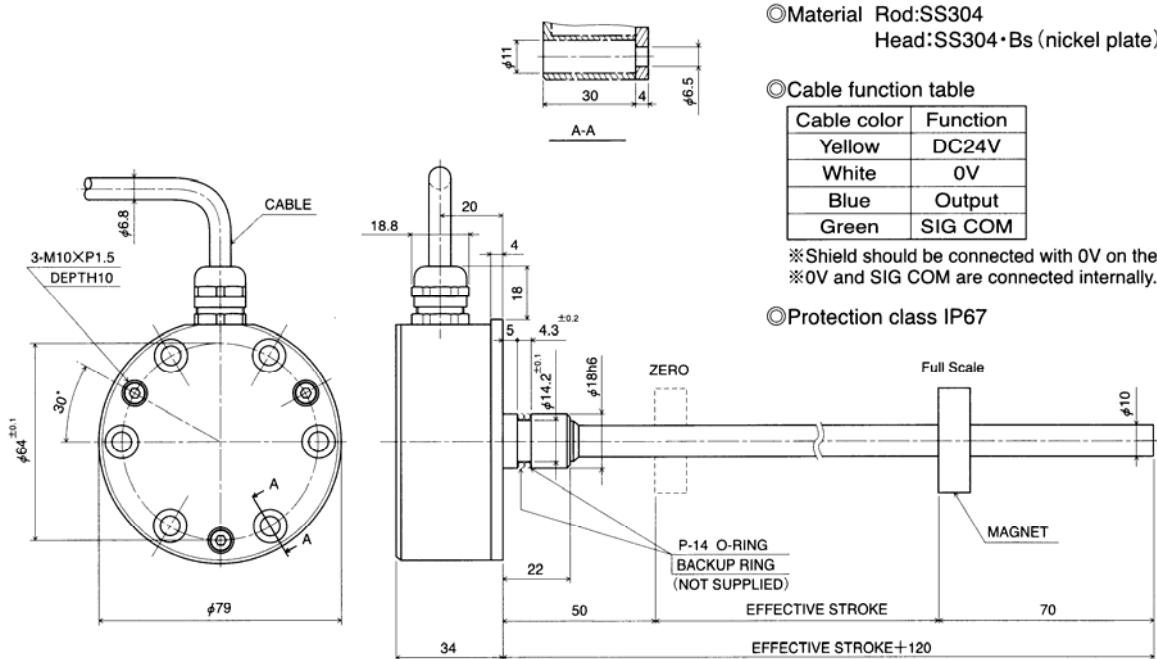
Cable (connector type option) CLAF - □□ - □

- 5= Cable length (m)
- 6= Cable type
  - S: Standard cable
  - W: Under water cable

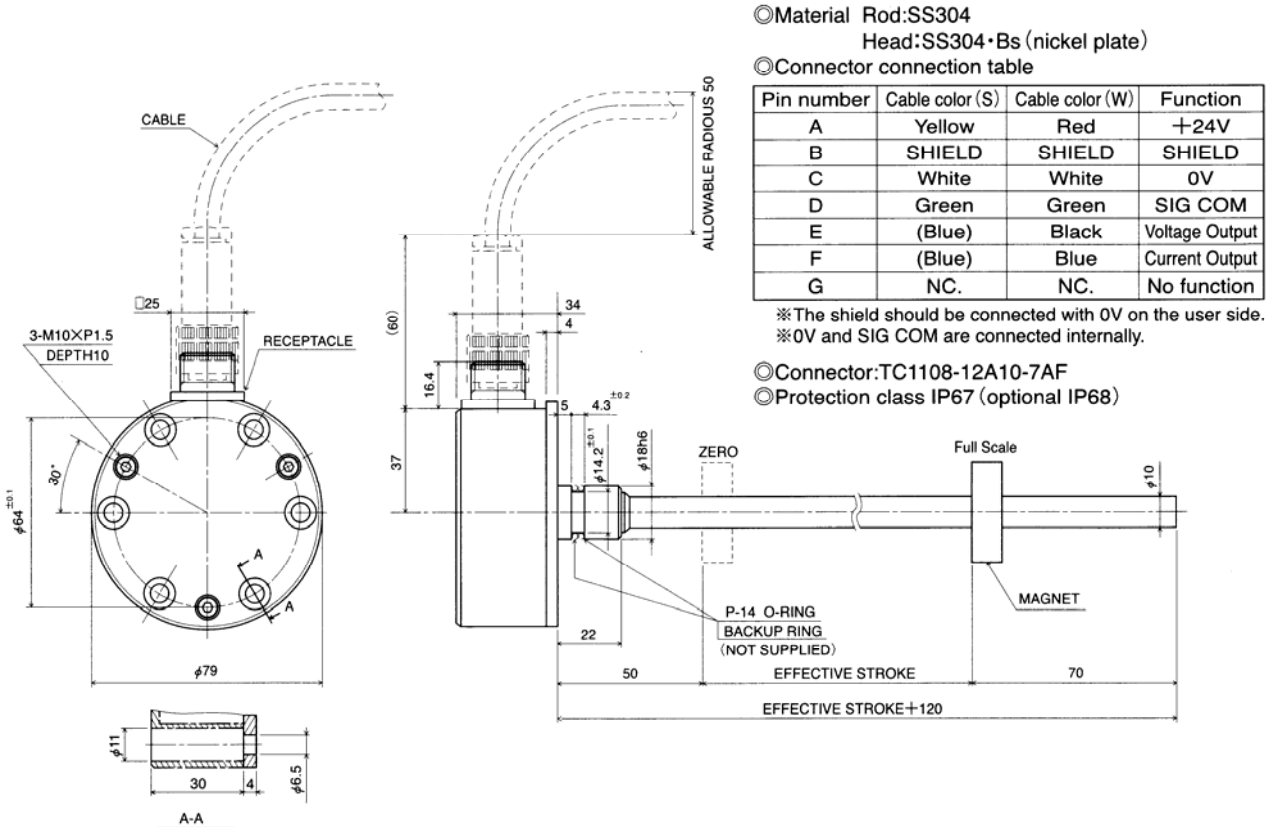
- Optionally, the effective stroke of the probe is available in any length up to 3000 mm.
- Only usable O-ring type is P-14. Please always use with back-up ring.
- The length of the cable should be less than 10 m if voltage output and 100 m for current output.
- An under water connector type (IP68) is also available.
- Optionally, also a simultaneously voltage and current output type is available.

# Magnetostrictive sensor 50-3000mm

## Dimensions pigtail type



## Dimensions connector type



Certificat ISO 9001:2000 av

Specifications subject to change without notice.

E 05.12/1



REGAL COMPONENTS AB